

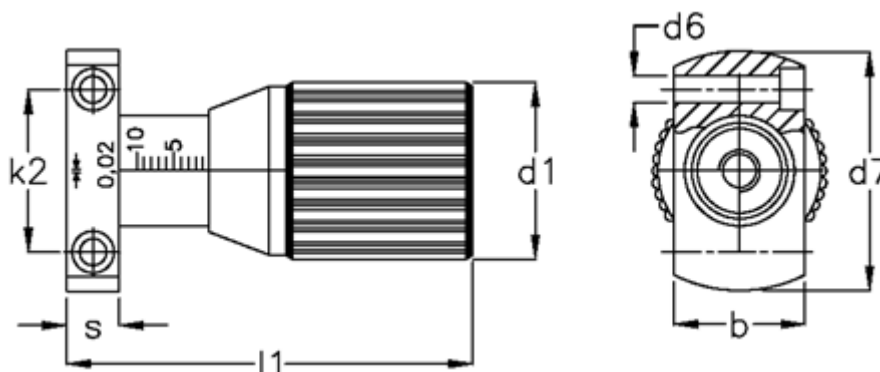
Data Sheet



Article number: 20619448A

Description: E+G Control knob w/adjustable spindle
GN 727-34-B-SL - 15 rev. scale 0,1..0,9

Measures



$b = 25$	$h = 4.2$
$d1 = 34$	$k2 = 30$
$d2 = M 8$	$l1 = 67$
$d3 = M16x1$	$l2 = 23.5$
$d4 = 8.5$	$l3 = 45.5$
$d5 = 23$	$S = 11$
$d6 = 5.3$	$W = 15$
$d7 = 50$	